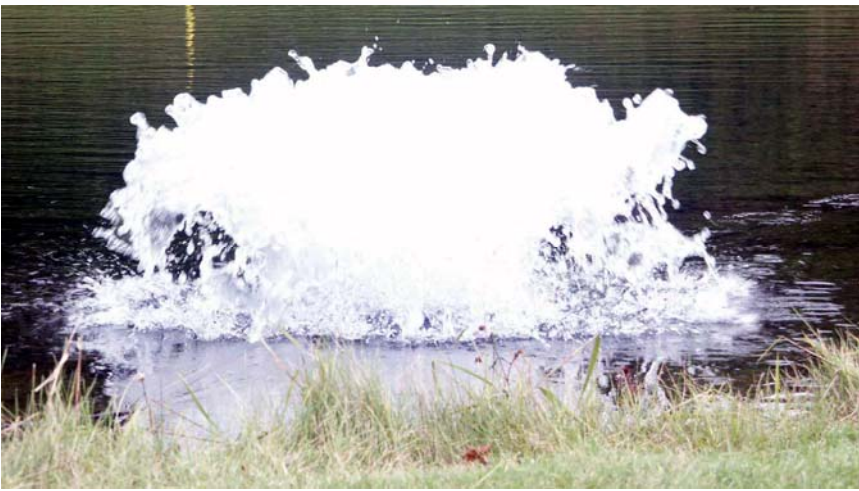




8400AF

Pond Aerator

2HP, 240V, Single Phase



Quick Facts

- ⇒ Available 240V Power
- ⇒ Complete Package includes Assembled Motor Unit, UV Resistant High Density Thermoplastic Float, Three 50' Braided Nylon Mooring Lines, and SJTOW Rated 3 Wire Power Cable
- ⇒ Operates in 20" (51cm) of Water
- ⇒ Total Component Listed by ETL to meet UL and CSA Standards for Safety in Water
- ⇒ Sacrificial Zinc Anode Installed for Corrosion Protection and use in Salt Water Applications
- ⇒ Series 300 Austenitic & 18-8 Stainless Steel Construction of Exposed Metal; Salt Water Compatible
- ⇒ 2 Year Warranty
- ⇒ UPS Shippable
- ⇒ Power Cable Potted Quick Disconnect on 12 Gauge Cord Options with Stainless Steel Strain Relief
- ⇒ Made in the USA
- ⇒ Energy Efficient with Excellent GPM/kW Rates
- ⇒ Industrial Strength Design
- ⇒ Top Intake for Shallow Water Operation
- ⇒ Optional Bottom Screen with 84 Vertical Screening Bars with Less Than 1" Gaps to Keep Debris Out and Allow for Maximum Water Flow Into the Unit
- ⇒ Optional Power Control Panel with 24 Hour Mechanical Timer and Class A Human Rated 20 Amp GFCB

8400AF Pond Aerator
Produces a Crown of
Water at the Surface

Operation

- ⇒ Submersed motor with top intake pushes the water into the air using an open propeller design.
- ⇒ Individual water droplets absorb oxygen from the atmosphere and return to the body of water transferring oxygen from the air and into the water.
- ⇒ Moving water mixes and agitates the water, spreading oxygenated water throughout the body of water.
- ⇒ Single open propeller design allows for greater water flow with a lower likelihood of clogging and smaller water droplets to increase total surface area for oxygen transfer.
- ⇒ Coated stainless steel cage or propeller guard shall catch large debris and assist in reducing the likelihood of clogging while allowing for maximum water flow into the unit.

Features

Motor Unit

- ⇒ 2HP, 240V, Single Phase
- ⇒ 1750 RPM Motor
- ⇒ Oil Cooled
- ⇒ Continuous Duty Rated Large Frame Motor
- ⇒ Double Bearing
- ⇒ Thermal Overload Protection
- ⇒ Fully Unitized Heavy Duty Elastomer Bellows Mechanical Seal
- ⇒ Series 300 Austenitic Stainless Housing with Engineering Grade Thermoplastic Top
- ⇒ Protective Coated Series 300 Austenitic Stainless Steel Cage/Prop Guard with 18 Vertical Bars and 1.5" Spacing
- ⇒ UV Resistant 3 Blade Engineered Thermoplastic Propeller with Aluminum Insert and All Blades on the Same Plane

Power Cable

- ⇒ SJTOW NEC Approved Underwater Rated Cable
- ⇒ 3 Wire (2 Hot and 1 Ground)
- ⇒ Available in 50', 100', 150', and 200' Options (Cord Gauges of 14 and 12 AWG; depending on length)
- ⇒ Potted Quick Disconnect and Stainless Steel Strain Relief Standard on 12 Gauge Cords
- ⇒ 6' Flex Sleeve Protection

Optional Control Panel

- ⇒ U.L. Listed per N.E.C.
- ⇒ 20 Amp Double Pole Square D® Class A Human Rated GFCB
- ⇒ Surge Protector
- ⇒ NEMA Type 3R Weatherproof Enclosure
- ⇒ 24 Hour Mechanical Timer

Float

- ⇒ U.V. Resistant High Density Thermoplastic
- ⇒ 3-Piece Lap Joint Float
- ⇒ Protective Coated 18-8 Stainless Steel Hardware
- ⇒ Three 50' Braided Nylon Mooring Ropes

Optional Bottom Screen

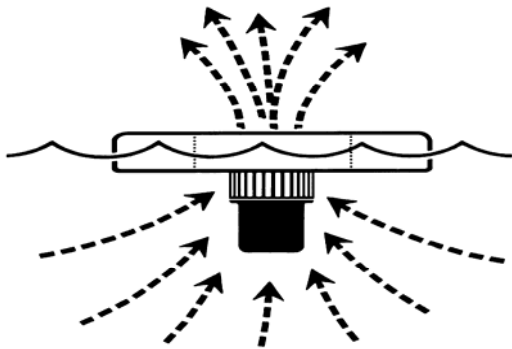
- ⇒ Protective Coated Stainless Steel
- ⇒ 84 Vertical Screening Bars w/ Gaps Tapered from .875" to .188" on Bottom Screen
- ⇒ 7.5" H x 23" Tapering to 8.25" Diameter
- ⇒ 18-8 Stainless Steel Attachment Clips

Kasco 8400AF Specifications

Model #	HP	Cord Length	Cord Gauge*	Voltage/Phase/Hz	Running Amps	Lock Rotor Amps	Sugg. Pond Size (SA)**	Min. Depth of Operation	Shipping Weight	Number of Boxes
8400AF050	2	50'	14	240/1/60	10.5	40	Up to 2	20"	105 Lbs.	2
8400AF100	2	100'	12	240/1/60	10.5	40	Up to 2	20"	119 Lbs.	3
8400AF150	2	150'	12	240/1/60	10.5	40	Up to 2	20"	126 Lbs.	3
8400AF200	2	200'	12	240/1/60	10.5	40	Up to 2	20"	132 Lbs.	3

* 12 AWG cords include potted quick disconnect and stainless steel strain relief.

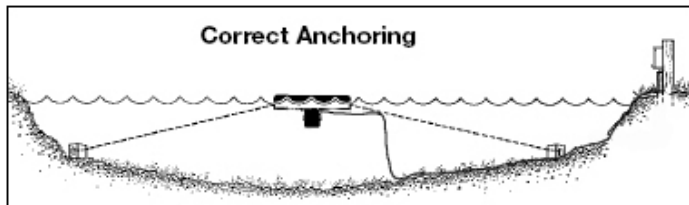
** Surface acreage (SA) is determined by multiplying length x width of the pond. The actual shape, depth, and oxygen demand should be considered when selecting a unit size.



During unit operation, water is circulated from 360° around the unit as well as from below. Top intake for shallow water operation.



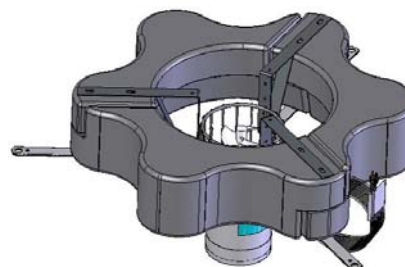
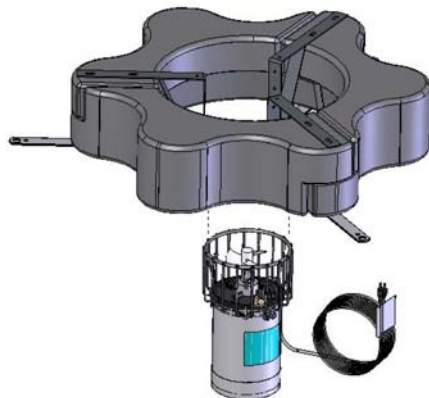
Optional coated stainless steel bottom screen helps protect the unit from debris. The bottom screen has 84 vertical bars with gaps less than 1".



Assembly and Installation of Kasco equipment is quick and easy. Each unit includes an Owners Manual with specific steps to assemble, install, and operate the equipment properly.



Optional UL Approved Control Panel complete with Class A Human Rated GFCI Protection, 24 Hour Mechanical Timer, and Photo Eye for Optional Light Kit. NEMA Type 3R weatherproof enclosure.



The motor unit attaches to the float using stainless steel hardware for a secure assembly. The 3 section, U.V. resistant, high density thermoplastic float allows for excellent durability with an attractive shape and low visibility.

Kasco Marine, Inc.
800 Deere Rd.
Prescott, WI 54021

Ph: (715) 262-4488 * Fax: (715) 262-4487
www.KascoMarine.com * www.GotAlgae.com
Sales@KascoMarine.com



Rev. 10/16/06